



1-800-648-8022
www.FlamingRiver.com



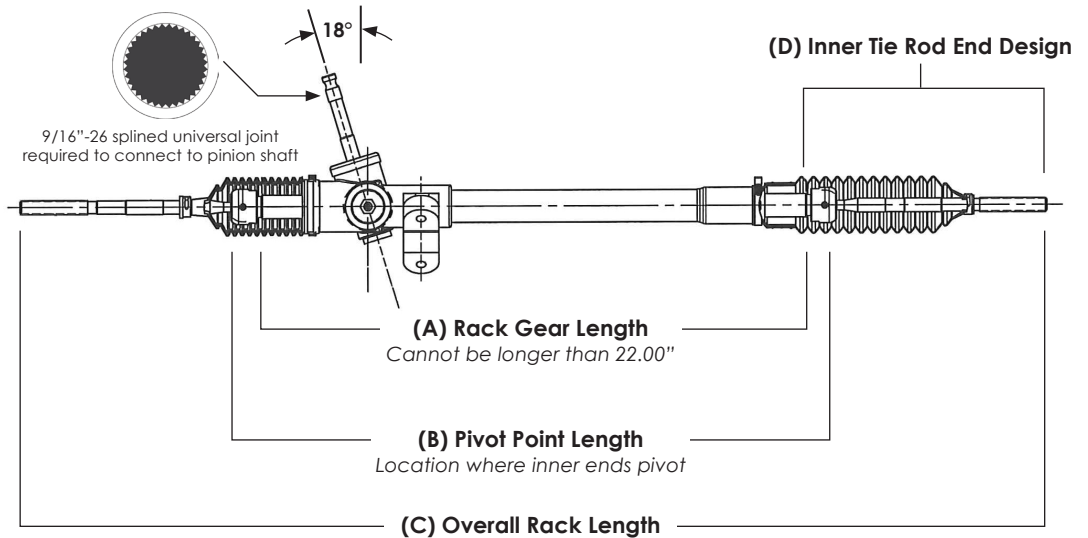
FR1507C Omni Rack Mounting Clamp with Bushing is not included, but recommended for installation.



If using standard inner tie rod ends (9/16"-18 thread), new outer tie rod ends are recommended for installation:

FR1601 3.5" Overall Length
FR1603 5" Overall Length
FR1603-L 6" Overall Length

Custom Rear Steer Omni-Style Manual Rack and Pinion Worksheet



PLEASE FILL IN YOUR CUSTOM MANUAL RACK & PINION SPECS

- (A) Rack Gear Length:
- (B) Pivot Point Length:
- (C) Overall Rack Length:
- (D) Inner Tie Rod Ends (9/16"-18 thread is standard)
- Pinion Shaft:
 - Standard Pinion Shaft (3.5" from cap)
 - Short Shaft (1.5" from cap) - \$50 fee
- Additional Notes: _____

Flaming River has created stacked part numbers for some of the most popular custom rack sizes:

	Overall Length	Pivot Points	Pinion Shaft
<u>Omni-Style</u>			
FR1507-3	41.70"	23.77"	3.50"
FR1507-3-5	41.70"	23.77"	1.50"
FR1507-2	45.00"	23.77"	3.50"
FR1507-2-5	45.00"	23.77"	1.50"

Flaming River manufactures custom racks to customer specifications per the above diagram. Flaming River Industries assumes no responsibility for design integrity. Design and fitment of the manual rack and pinion is the responsibility of the customer.

Payment: Full payment is required with order. Cash, Visa, MasterCard, Discover, or PayPal are accepted.

Cancellation: Custom racks are non-cancelable and non-returnable. Rack specifications must be in writing and signed by customer.

Delivery: 4-6 weeks from time of order

CUSTOMER CONTACT INFORMATION

*Contact Name: _____
 Company Name (if applicable): _____
 *Address: _____
 *City, State, Zip: _____
 *Phone: _____ Fax: _____
 *Email: _____
 *Signature: _____ Date: _____

- * Indicates required field.

INTERNAL USE

Sales: _____
 Production: _____
 Builder: _____
 Checked By: _____

*Initial and Date

Flaming River Industries, Inc.
 800 Poertner Drive
 Berea, OH 44017

P: 1-800-648-8022
F: 1-800-243-5263
info@flamingriver.com