

The Big Switch with Lever

FR1003-2

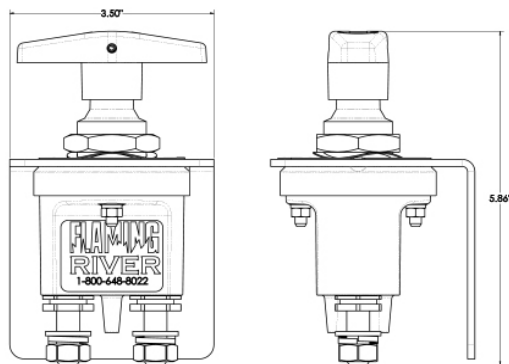
Features & Benefits

- Lever kit allows for remote activation of The Big Switch with the included 18" aluminum threaded rod, T-handle, mounting bracket (FR1007), and attachment hardware
- 250 Amp continuous current on 12 to 24V systems
- 2500 Amp surge rating for 5 second intervals
- Silver-plated copper electrical contacts
- Nickel-plated brass hardware
- Vibration resistant design with dual spring-loaded contacts and watertight seal
- Accepted by most sanctioning bodies including the IHRA & NHRA
- 3-year warranty

Applications

- Main or auxiliary load disconnection
- Vehicle maintenance protection
- Helps prevent battery drain
- Fire safety device
- Theft deterrent

Dimensions



NOTE:
Switch terminal covers are recommended, but not included.



Specifications

Voltage	12V/16V/24V
Max Continuous Current	250 Amps
Max Surge Current	2500 Amps
Environmental Protection	IP65
Water Resistant	Yes
Operating Temperature	-40°F to + 176°F (-40°C to +80°C)
Contact Terminals	Silver-Plated Copper
Contact Hardware	Nickel-Plated Brass
Terminal Diameter	M10
Terminal Length	0.775 in (approx. 25/32 in)
Max Tightening Torque	11-13 ft-lbs
Warranty	3 Years
Weight	1.15 lbs

Kit Includes

- 1, Big Switch Battery Disconnect Switch
- 1 set, M30 Nut & Washer
- 1, 18 in. Aluminum Threaded Rod
- 1, Mounting Bracket (FR1007)
- 3 of each, 1/4-20 x 7/8" Hex Bolts, 1/4-20 Nylock Nuts, & 1/4 Flat Washer
- 1, Switch Operation Decal
- 1 pair of each, M10 Nuts, Lock, & Flat Washers