

New XL Terminal Big Switch Battery Disconnect Switch

FR1044

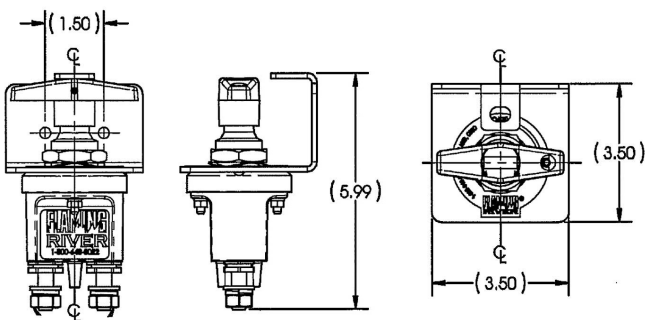
Features & Benefits

- Increased screw terminals to 0.95 inches in length
- 250 Amp continuous current on 12 to 24V systems
- 2500 Amp surge rating for 5 second intervals
- Silver-plated copper electrical contacts
- Nickel-plated brass hardware
- Completely sealed, water resistant design
- 3-year warranty
- Lock-out handle and bracket allows the switch to be locked in the OFF position to comply with OSHA lock-out/tag-out regulation 1910.147

Applications

- Main or auxiliary load disconnection
- Vehicle maintenance lock-out
- Helps prevent battery drain
- Fire safety device
- Theft deterrent

Dimensions



NOTE:

Switch terminal covers are recommended, but not included.



Specifications

Voltage	12V/24V
Max Continuous Current	250 Amps
Max Surge Current	2500 Amps
Environmental Protection	IP65
Water Resistant	Yes
Operating Temperature	-40°F to +176°F (-40°C to +80°C)
Contact Terminals	Silver-Plated Copper
Contact Hardware	Nickel-Plated Brass
Terminal Diameter	M10
Terminal Length	0.95 in (approx. 61/64 in)
Max Tightening Torque	11-13 ft-lbs
Warranty	3 Years
Weight	1.15 lbs

Kit Includes

- 1, XL Terminal Big Switch Battery Disconnect Switch
- 1, Lock-Out Bracket (FR1008)
- 2 of each, 1/4-20 x 7/8" Hex Bolts, 1/4-20 Nylock Nuts, & 1/4 Flat Washer
- 1 set, M30 Nut & Washer
- 1, ON/OFF Plate
- 2 of each, M10 Nuts, Lock, & Flat Washers