

The Big Switch 500 with Lock-Out Bracket

FR1046

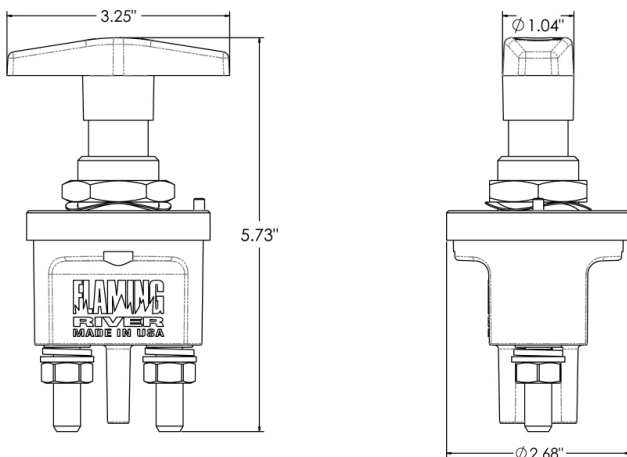
Features & Benefits

- Heavy-duty battery disconnect switch that boasts a 500 Amp continuous rating
- Silver contacts and terminals provide higher rating
- Innovative glass-filled nylon material is impact and extreme temperature resistant
- Sealed waterproof and corrosion resistant design
- Can withstand extreme vibration, making it ideal for racing and heavy-duty truck applications
- Optional lock-out feature allows switch to be locked in the OFF position to comply with OSHA lock-out/tag-out regulation 1910.147
- Made in the USA with American made components and materials

Applications

- Main or auxiliary load disconnection
- Vehicle maintenance lock-out
- Helps prevent battery drain
- Fire safety device
- Theft deterrent

Dimensions



NOTE:
Battery terminal covers are recommended, but not included.



Specifications

Voltage	12V/24V
Max Continuous Current	500 Amps
Environmental Protection	IP65
Corrosion Resistant	Yes
Operating Temperature	-40°F to + 176°F (-40°C to +80°C)
Switch Body Material	Glass-filled nylon
Internal Contacts	AgSnO2 (Silver Tin Oxide) Plated Copper
Contact Terminals	AgSnO2 (Silver Tin Oxide) Contacts
Terminal Diameter	M10
Terminal Length	1.18 in (1-3/16 in)
Contact Hardware	Nickel-plated brass
M10 Tightening Torque	11-13 ft.lbs
Weight	12.2 oz

Kit Includes

- 1, The Big Switch 500
- 1, Lock-Out Bracket
- 2 of each, 1/4-20 x 7/8" Hex Bolts, 1/4-20 Nylock Nuts, & 1/4 Flat Washer
- 1 set, M30 Nut & Wave Washer
- 2 of each, M10 Nuts, Lock, & Flat Washers