

**Flaming River Industries**  
**Front Steer Custom Rack Order Form**  
**1-800-648-8022 Toll Free**  
**440-826-0780 FAX**

Flaming River now offers the most popular custom rack sizes right from stock and all are with the short pinion shaft.

Here are the sizes and part numbers in stock:

**(Example: FR1502-2x2 is 2" off of the center tube and 2" off of the rack gear.)**

**Mustang II Racks :**

FR1502-2x2  
FR1502-2x2.5  
FR1502-3x3  
FR1502-4x4

**79-93 5.0L Racks:**

FR1503-3x3

**Modified Rack Terms**

Flaming River manufactures custom racks to customer specifications per the below diagram. Flaming River Industries assumes no responsibility for design integrity. This is the customer's responsibility.

Payment – Full payment is required with order

Cancellation – Custom racks are non-cancelable and non-returnable.

Specifications must be in writing,

Delivery – 4-6 weeks from time of order

**Flaming River Industries**  
**Front Steer Custom Rack Order Form**  
**1-800-648-8022 Toll Free**  
**440-826-0780 FAX**

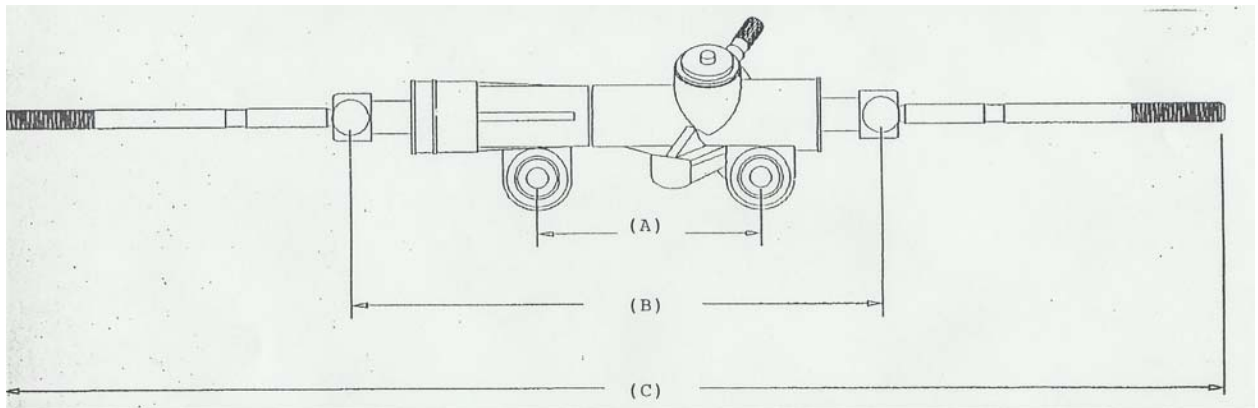
**Customer Contact Information:**

**Name:** \_\_\_\_\_

**Address:** \_\_\_\_\_

\_\_\_\_\_

**Phone# :** \_\_\_\_\_



\_\_\_\_\_ (A) Distance between mounting holes

\_\_\_\_\_ (B) Center to Center inner socket assembly

\_\_\_\_\_ (C) Overall end-to-end length

Standard pinion shaft \_\_\_\_\_ Short pinion shaft (\$50.00) \_\_\_\_\_

**Customer Authorization:** \_\_\_\_\_

**Date:** \_\_\_\_\_