



1-800-648-8022  
www.flamingriver.com



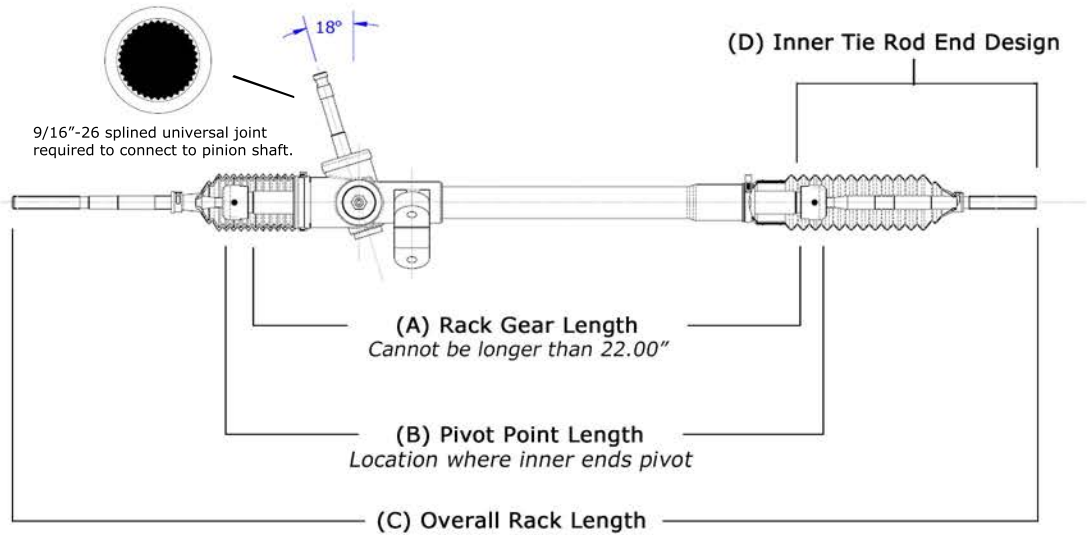
FR1507C Omni Rack Mounting Clamp with Bushing is not included, but recommended for installation.



If using standard inner tie rod ends (9/16"-18 thread), new outer tie rod ends are recommended for installation:

- FR1601 3.5" Overall Length
- FR1603 5" Overall Length
- FR1603-L 6" Overall Length

## Custom Rear Steer Omni-Style Manual Rack and Pinion Worksheet



### PLEASE FILL IN YOUR CUSTOM MANUAL RACK AND PINION SPECS

- (A) Rack Gear Length: \_\_\_\_\_
- (B) Pivot Point Length: \_\_\_\_\_
- (C) Overall Rack Length: \_\_\_\_\_
- (D) Inner Tie Rod Ends (9/16"-18 thread is standard)
- Pinion Shaft:
  - Standard Pinion Shaft (3.5" from cap)
  - Short Shaft (1.5" from cap) - \$50 fee
- Additional Notes: \_\_\_\_\_  
 \_\_\_\_\_  
 \_\_\_\_\_

Flaming River has created stocked part numbers for some of the most popular custom rack sizes:

	Overall Length	Pivot Points	Pinion Shaft
<b>Omni-Style</b>			
FR1507-3	41.70"	23.77"	3.50"
FR1507-3-5	41.70"	23.77"	1.50"
FR1507-2	45.00"	23.77"	3.50"
FR1507-2-5	45.00"	23.77"	1.50"

Flaming River manufactures custom racks to customer specifications per the above diagram. Flaming River Industries assumes no responsibility for design integrity. Design and fitment of the manual rack and pinion is the responsibility of the customer.

**Payment:** Full payment is required with order. Cash, Visa, MasterCard, Discover, or PayPal are accepted.

**Cancellation:** Custom racks are non-cancelable and non-returnable. Rack specifications must be in writing and signed by customer.

**Delivery:** 4-6 weeks from time of order

### CUSTOMER CONTACT INFORMATION

- \*Contact Name: \_\_\_\_\_
- Company Name (if applicable): \_\_\_\_\_
- \*Address: \_\_\_\_\_
- \*City, State, Zip: \_\_\_\_\_
- \*Phone: \_\_\_\_\_ Fax: \_\_\_\_\_
- \*Email: \_\_\_\_\_
- \*Signature: \_\_\_\_\_ \*Date: \_\_\_\_\_

- \* Indicates required field.

### INTERNAL USE

- Sales: \_\_\_\_\_
- Production: \_\_\_\_\_
- Builder: \_\_\_\_\_
- Checked By: \_\_\_\_\_  
\*Initial and Date

**Flaming River Industries, Inc.**  
800 Poertner Drive  
Berea, OH 44017

**P: 1-800-648-8022**  
**F: 1-800-243-5263**  
**info@flamingriver.com**